

*Customized void
filler prevents
lateral load shift*



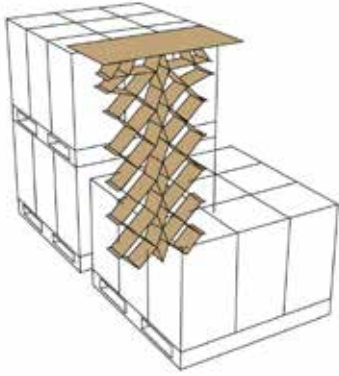
DIAMOND-CORR®
DIAMOND-CORR II®
DIAMOND-FLOW®

DIAMOND-CORR®, DIAMOND-CORR II®
AND DIAMOND-FLOW® are:

- Cost effective
- Collapsible
- Lightweight
- Sturdy and dependable
- Recyclable



COLLAPSIBLE VOID FILLERS



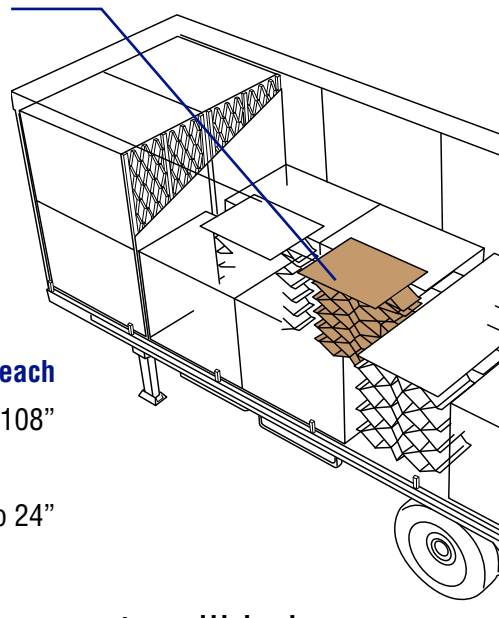
DIAMOND-CORR®, the *original* void filler, expands to fill spaces between loads to prevent load shift during transit. Stores flat, accordion style.

DIAMOND-CORR II® is a larger cell, lighter duty, economical lateral void filler.

DIAMOND-FLOW®, offers the same void-filling capability as above while providing superior circulation in reefers. Perfect for shipping fresh produce.



DIAMOND-CORR®, **DIAMOND-CORR II®**, and **DIAMOND-FLOW®** come in a wide variety of sizes, widths and drops. Our load securement experts will help you determine the best configuration for your shipment.



Drop lengths specific to each loading pattern and range from: 24" to 108"

Common widths: 3" to 24"

Sunrise's load securement experts will help you determine the best configuration for your shipment.

sunrisemfg.com
Load Protection Analysis
(800) 748-6529