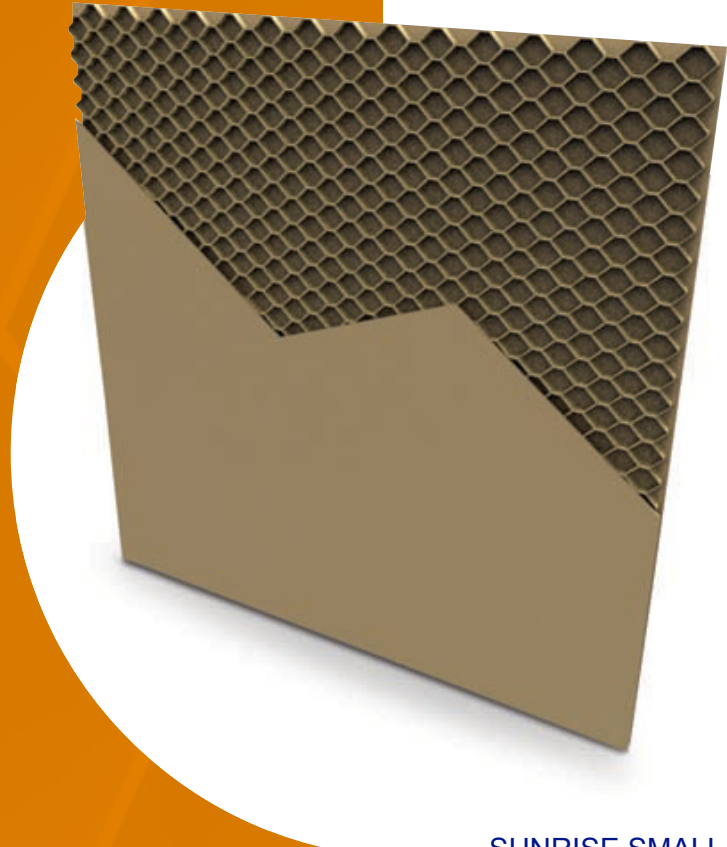


*Endless possibilities  
to protect and  
unitize your  
shipment*



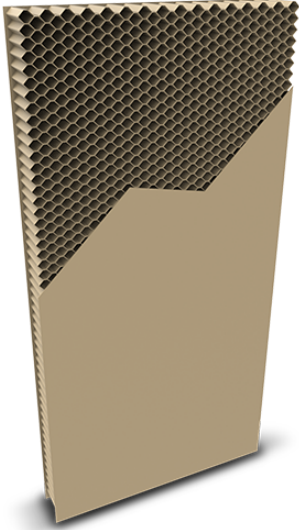
# SUNRISE SMALL CELL™

SUNRISE SMALL CELL™ is:

- Lightweight
- Economical
- Recyclable
- Durable
- Versatile Cushioning
- Interior/Exterior Packaging



# SUNRISE SMALL CELL™



## SUNRISE SMALL CELL™

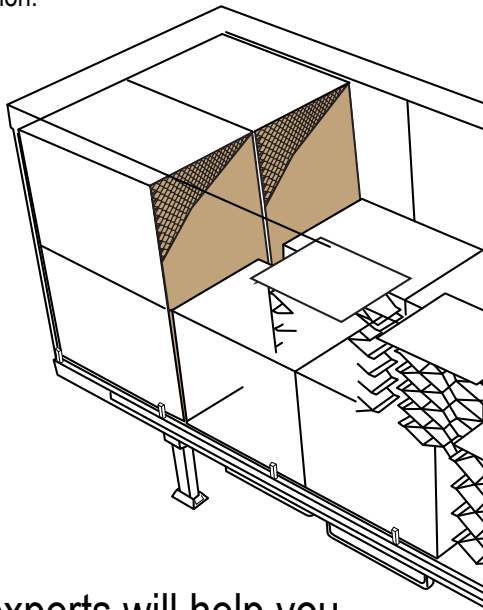
is a viable option for load securement, as well as interior and exterior packaging. Many have found SUNRISE SMALL CELL™ as a lightweight, economical, recyclable, dense, and durable replacement for unitizing and dividing loads, in addition to a great replacement for foam and corrugated.



Some key applications include but not limited to: bulkhead void filler panels for load securement, plugs for pallet under-hang, buffer and tier sheets, filling head space in tomato bins, furniture protection, window and door protection, and much more! With a vast array of capabilities from slits to double-sided tape, please contact Sunrise for more information.

## Sizes

Using a smaller cell honeycomb design than our DIAMOND-PAK®, SUNRISE SMALL CELL™ packs an extra punch with compression strengths from 5-63 PSI or 0-10,000 lbs and allows us to an alternative to some of our DIAMOND-PAK® panels, as well as providing thinner panels than we once manufactured under DIAMOND-PAK® (down to 3/8”).



Sunrise's load securement experts will help you determine the best configuration for your shipment.

[sunrisemfg.com](http://sunrisemfg.com)  
Load Protection Analysis  
(800) 748-6529